



TECHNICAL SPECIFICATION SHEET

PRODUCT NAME: Lima Extension Arm

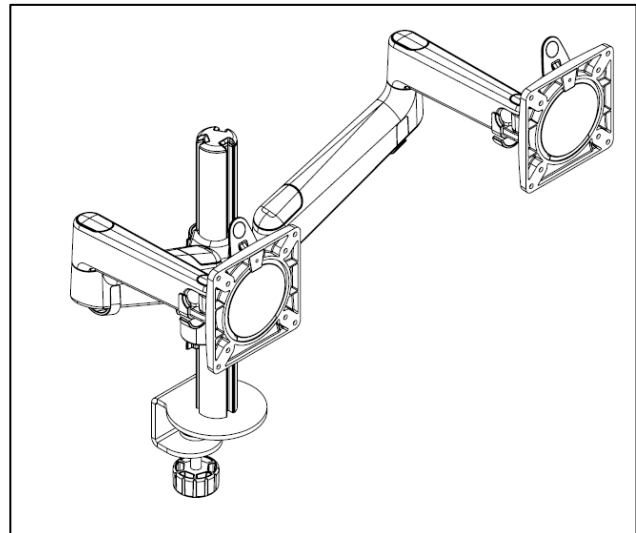
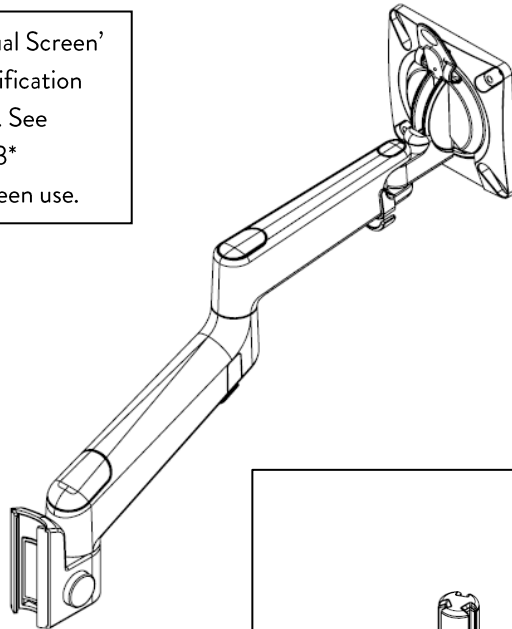
PRODUCT CODE: LMA/001/002

LMA/001/002/X10

Doc Rev 4.

10.02.23 CS

See configuration sheet 'Lima Dual Screen' for full range of dimensional specification measurements in dual screen use. See LMA/001/001 or LMA/001/003* specification sheets for single screen use.



LMA/001/002 is used only to upgrade LMA/001/001 or LMA/001/003* into a dual screen solution.

*Only available in APMEA

KEY FEATURES

- Additional arm for dual screen applications
- Supports up to 6.5kg in monitor weight
- Articulation range and smoothness of motion
- Height adjustability achieved using push button technology
- Tool less installation (with the exception of fixing VESA plate to monitor)
- Material selection and 'design-for-disassembly' make Lima 100% recyclable at the end of its operational life.
- Available in Black, White and Grey

Maximum Load Range:	6.5kg (14lbs)
Maximum Reach:	456mm
Tilt Range:	+80° / -10°
Recycled content:	15.9%
Total product recyclable:	100%

LOGISTICAL

Box contains	Lima arm, VESA mount plate & VESA fixing screws, instructions.
Product net weight:	0.9kg
Box dims (HxWxD)	535mm x 172mm x 70mm*
Box gross weight	1.3kg
Carton quantity	6
Master dims (HxWxD)	560 x 365 x 235mm
Master weight	8.85kg
Country of origin	India

Bulk Pack (Pack of 10 – Selected Regions)

Box contains:	10 Lima arms, 10 VESA mount plates & VESA fixing screws, instructions.
Box dims (HxWxD):	569 x 369 x 248mm
Box gross weight:	11.6kg

Pallet Information

Pallet quantity:	24 master cartons (240 individual arms)
Pallet dims (HxWxD):	1150 x 725 x 1100mm
Pallet gross weight:	301.4kg

*Sizes and weights are approximate and may be subject to variation

ORDERING INFORMATION

<u>Product Description</u>	<u>Product Code</u>	<u>Colour</u>
Lima Extension Arm	LMA/001/002/G	Grey
Lima Extension Arm	LMA/001/002/W	White
Lima Extension Arm	LMA/001/002/B	Black
Lima Extension Arm	LMA/001/002/X10/G	Grey
Lima Extension Arm	LMA/001/002/X10/W	White
Lima Extension Arm	LMA/001/002/X10/B	Black

WARRANTY

Warranty Term 12 years

CERTIFICATION AND AWARDS

Whilst no mandatory standards apply to the monitor arm product sector, all Colebrook Bosson Saunders monitor arms have been designed with appropriate articulation features, dimensional range and adjustability to conform to the requirements of BS EN ISO 9241:5 1999 Ergonomic requirements for office work with visual display terminals (VDTs).



reddot winner 2020

ENVIRONMENTAL

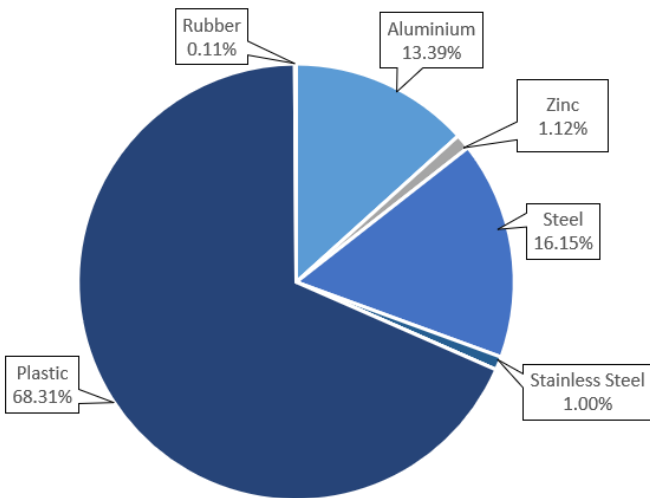
Material Make-up			Total Recycled Content	Breakdown of Recycled Content		Total Recyclable	
Overall Product			Overall Product	Overall Product		Overall Product	
Material type	Total Material type weight (g)	Percentage of Total Product Weight (%)	Material-Type Recycled Content (%)	Percentage PIR of total weight (%)	Percentage PCR of total weight (%)	Total Product Recyclable (g)	Total Product Recyclable (%)
Aluminium	120.00	13.32%	12.7%	6.7%	5.9%	120.00	13.32%
Zinc	10.00	1.11%	0.5%	0.2%	0.2%	10.00	1.11%
Steel	145.50	16.15%	2.1%	0.4%	1.7%	145.50	16.15%
Stainless Steel	9.00	1.00%	0.6%	0.4%	0.2%	9.00	1.00%
Plastic	615.50	68.31%	0.0%	0.0%	0.0%	615.50	68.31%
Rubber	1.00	0.11%	0.0%	0.0%	0.0%	1.00	0.11%
Total	901.00	100.00%	15.9%	7.7%	8.2%	901.00	100.00%

PIR = Post Industrial Recycled

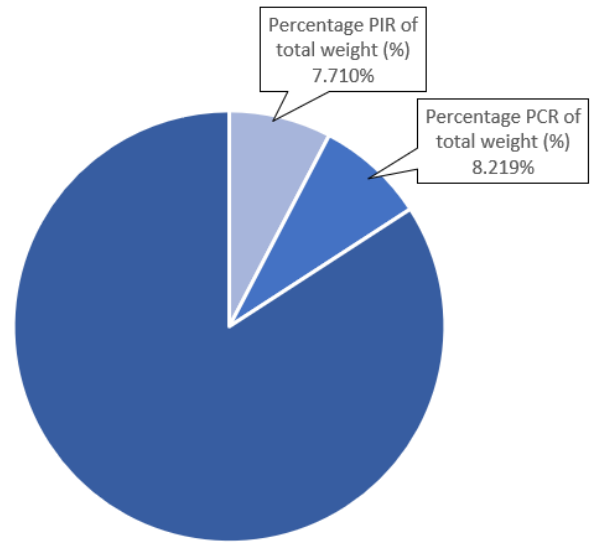
PCR = Post Consumer Recycled

*Due to calculation rounding there may be some small variations in displayed percentage totals

Total Product Weight (%)



Total Product Recycled Content (%)



CLEANING, STORAGE & MAINTENANCE

Routine servicing

Periodic inspection

Service components

Available to order

Cleaning & Maintenance

Damp cloth, no abrasives, no solvents to be used on the cosmetic surfaces

Handling & Storage

Do not drop or expose to moisture

While every effort is made to ensure the accuracy of our technical information, Colebrook Bosson Saunders (Products) Ltd accept no liability for the accuracy of the information contained in this document and reserve the right to modify the specifications or data contained herein without prior notification.