



TECHNICAL SPECIFICATION SHEET

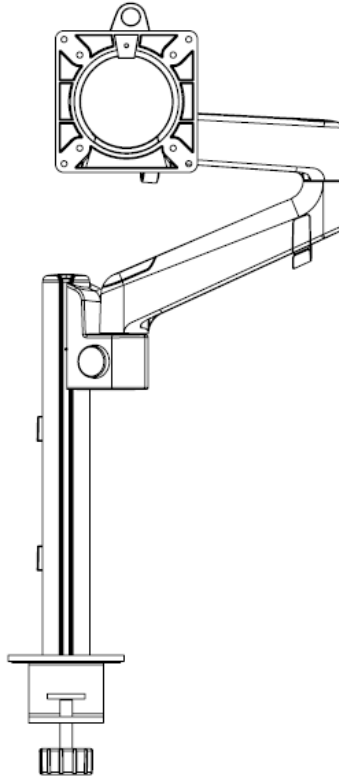
PRODUCT NAME: Lima Arm incl. Post & Clamp

PRODUCT CODE: LMA/001/001

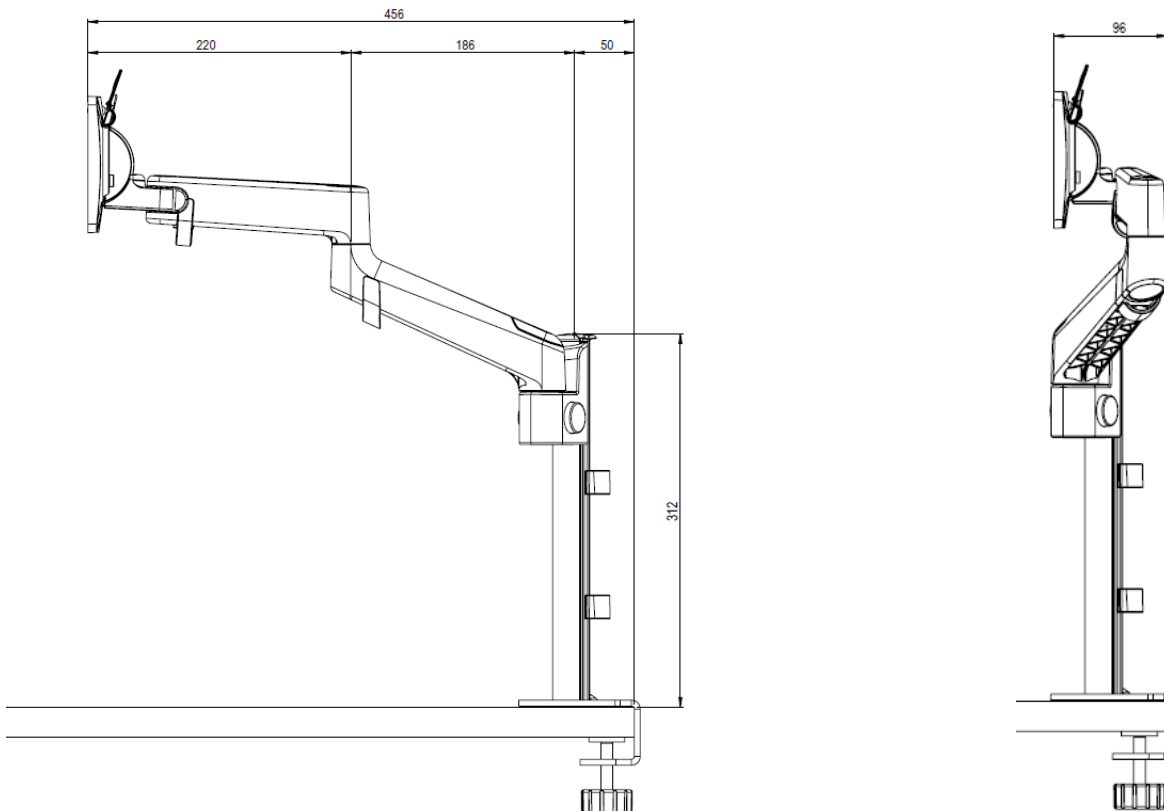
LMA/001/001/X10 (Bulk Pack)

Doc Rev 5.

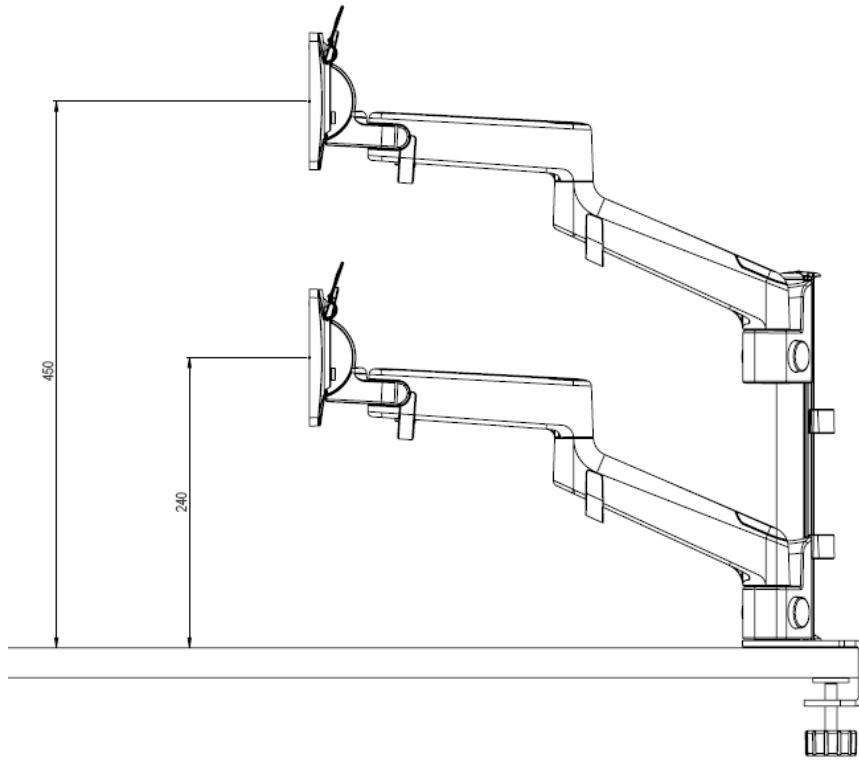
10.02.23 CS



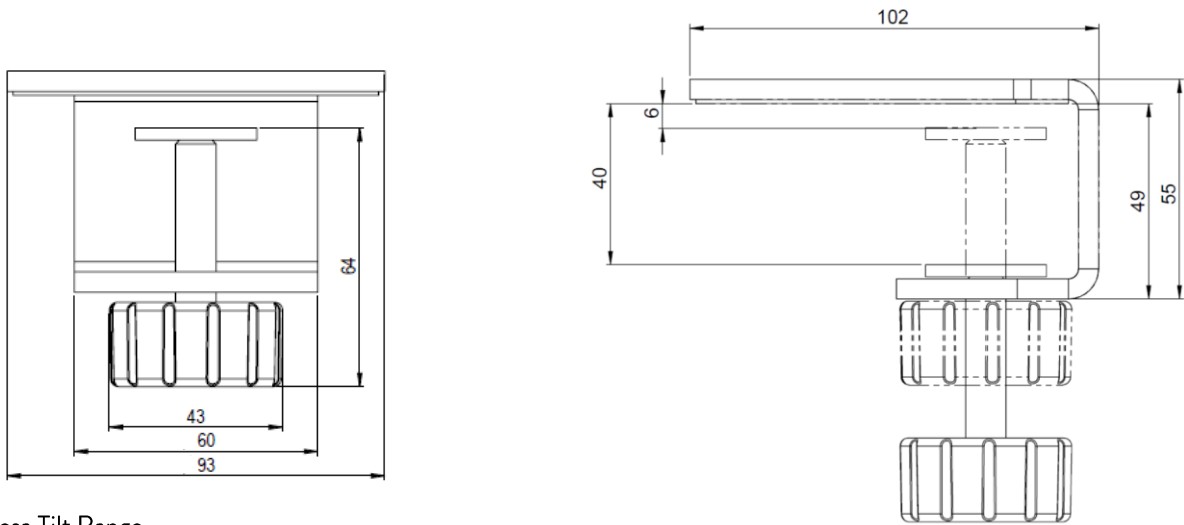
Main Dimensions



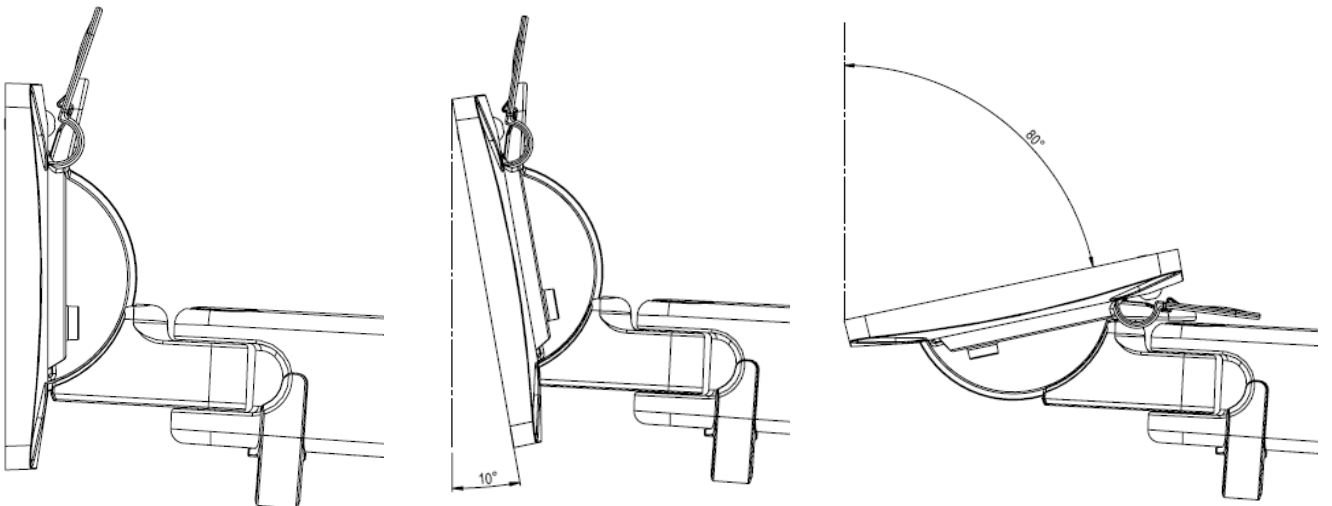
*Note dimensions are in mm



Clamp Dimensions



Vesa Tilt Range



*Note dimensions are in mm

KEY FEATURES

- Supports up to 6.5kg in monitor weight
- All in one box solution for a single screen set up
- Additional arm available separately for dual screen (LMA/001/002)
- Articulation range and smoothness of motion
- Integral post clamp (clamp range 6 to 40mm)
- Height adjustability achieved using push button technology
- 4-point cable management guides cables tidily from monitor to desktop
- Tool less installation (with the exception of fixing VESA plate to monitor)
- Material selection and 'design-for-disassembly' make Lima 100% recyclable at the end of its operational life.
- Available in Black, White and Grey

Maximum Load:	6.5kg (14lbs)
Maximum Height:	450mm
Maximum Reach:	456mm
Vertical Range:	210mm
Tilt Range:	+80° / -10°
Clamp Range:	6mm to 40mm
Recycled content:	32%
Total product recyclable:	100%

LOGISTICAL

Box contains:	Lima arm, all in one post with clamp, VESA mount plate & VESA fixing screws, work top pad, cable management clips, instructions.
Product net weight:	1.9kg
Box dims (HxWxD):	535mm x 172mm x 126mm*
Box gross weight:	2.95kg
Master carton quantity:	4
Master carton dims (HxWxD):	560 x 365 x 275mm
Master carton weight:	11kg
Pallet quantity:	72 (18 master cartons)
Pallet dims (HxWxD):	1150 x 1150 x 1035mm
Pallet gross weight:	205.1kg
Country of origin:	India

Bulk Pack (Pack of 10 – Selected Regions)

Supplied in 2 separate boxes.

Box 1 contains:	10 Lima arms, 10 VESA mount plates & VESA fixing screws, instructions.
Box 2 contains:	10 all in one post with clamp, work top pad, cable management clips, instructions.
Box dims (HxWxD):	Box 1: Lima Arm 569 x 369 x 248mm Box 2: Lima Post & Clamp 460 x 415 x 250mm
Box gross weight:	22.2kg (Box 1: 11.6kg + Box 2: 10.6kg)

Pallet Information – Box 1

Pallet quantity:	24 master cartons (240 individual arms)
Pallet dims (HxWxD):	1150 x 725 x 1100mm
Pallet gross weight:	301.4kg

Pallet Information – Box 2

Pallet quantity:	24 master cartons (240 posts & clamps)
Pallet dims (HxWxD):	1270 x 930 x 1110mm
Pallet gross weight:	276kg

*Sizes and weights are approximate and may be subject to variation

ORDERING INFORMATION

<u>Product Description</u>	<u>Product Code</u>	<u>Colour</u>
Lima Arm Incl. Post Clamp	LMA/001/001/G	Grey
Lima Arm Incl. Post Clamp	LMA/001/001/W	White
Lima Arm Incl. Post Clamp	LMA/001/001/B	Black
Lima Arm Incl. Post Clamp x 10	LMA/001/001/X10/G	Grey
Lima Arm Incl. Post Clamp x 10	LMA/001/001/X10/W	White
Lima Arm Incl. Post Clamp x 10	LMA/001/001/X10/B	Black

WARRANTY

Warranty Term	12 years
----------------------	----------

CERTIFICATION AND AWARDS

Whilst no mandatory standards apply to the monitor arm product sector, all Colebrook Bosson Saunders monitor arms have been designed with appropriate articulation features, dimensional range and adjustability to conform to the requirements of BS EN ISO 9241:5 1999 Ergonomic requirements for office work with visual display terminals (VDTs).



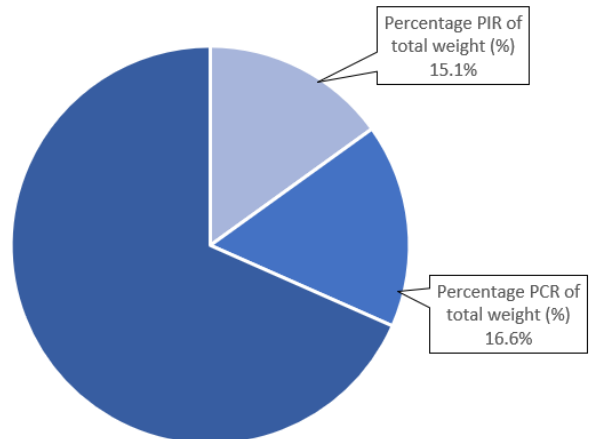
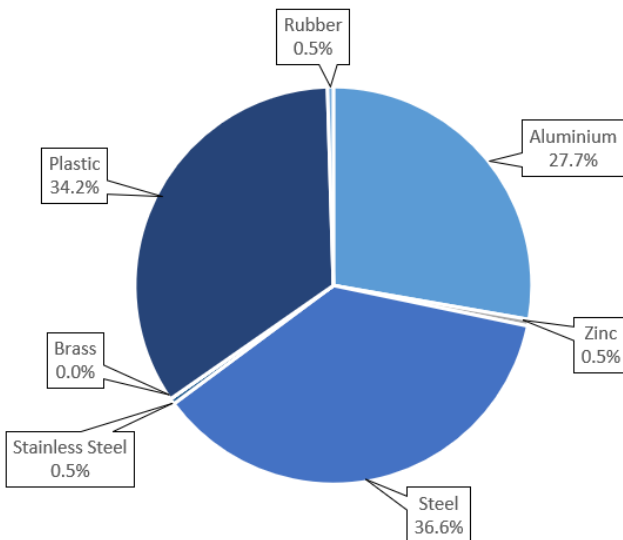
reddot winner 2020

ENVIRONMENTAL

Material Make-up			Total Recycled Content	Breakdown of Recycled Content		Total Recyclable	
Overall Product			Overall Product			Overall Product	
Material type	Total Material type weight (g)	Percentage of Total Product Weight (%)	Material-Type Recycled Content (%)	Percentage PIR of total weight (%)	Percentage PCR of total weight (%)	Total Product Recyclable (g)	Total Product Recyclable (%)
Aluminium	524.0	27.7%	26.4%	14.0%	12.4%	524.0	27.7%
Zinc	10.0	0.5%	0.2%	0.1%	0.1%	10.0	0.5%
Steel	691.0	36.6%	4.8%	0.8%	3.9%	691.0	36.6%
Stainless Steel	9.0	0.5%	0.3%	0.2%	0.1%	9.0	0.5%
Brass	0.0	0.0%	0.0%	0.0%	0.0%	0.0	0.0%
Plastic	646.0	34.2%	0.0%	0.0%	0.0%	646.0	34.2%
Rubber	9.0	0.5%	0.0%	0.0%	0.0%	9.0	0.5%
Total	1889.0	100.0%	31.6%	15.1%	16.6%	1889.0	100.0%

Due to calculation rounding there may be some small variations in displayed percentage totals.

PIR = Post Industrial Recycled
PCR = Post Consumer Recycled



CLEANING, STORAGE & MAINTENANCE

Routine servicing	Periodic inspection
Service components	Available to order
Cleaning & Maintenance	Damp cloth, no abrasives, no solvents to be used on the cosmetic surfaces
Handling & Storage	Do not drop or expose to moisture

While every effort is made to ensure the accuracy of our technical information, Colebrook Bosson Saunders (Products) Ltd accept no liability for the accuracy of the information contained in this document and reserve the right to modify the specifications or data contained herein without prior notification.