

OLLIN VESA TILT HEAD INSTRUCTIONS

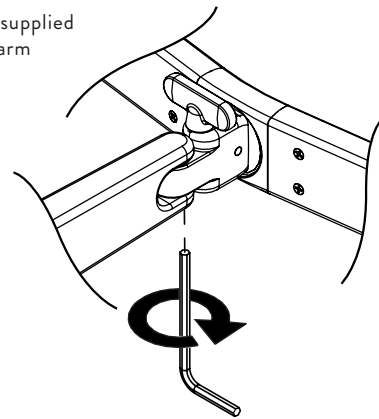
OLN/TLT/001

PARTS INCLUDED

Tilt head x 1
VESA plate x 1
Fixing bush x 2
Fixing screw x 1
VESA screw pack
M4x12mm VESA screws x 4
M4x10mm VESA screws x 4
Optional security screw x 1

VESA FRICTION ADJUSTMENT

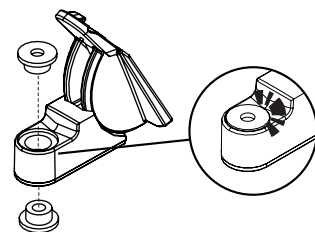
Use allen key supplied with monitor arm (4mm key)



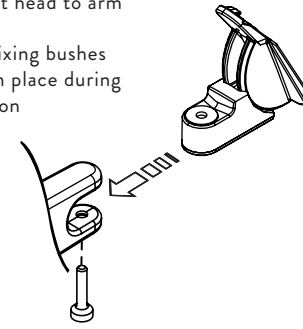
IMPORTANT
These removed parts aren't required for tilt head installation. You may consider retaining them in case Ollin needs to return to dual configuration.

VESA FRICTION ADJUSTMENT

2A Fit fixing bushes
Ensure that both are fitted

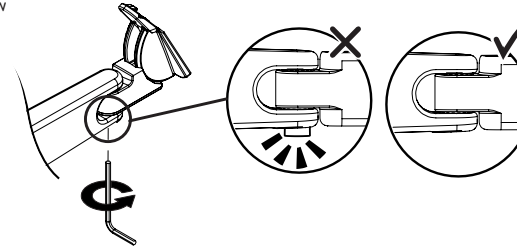


2B Install tilt head to arm
Ensure fixing bushes remain in place during installation



IMPORTANT
Use new screw provided with tilt head kit

2C Tighten fixing screw

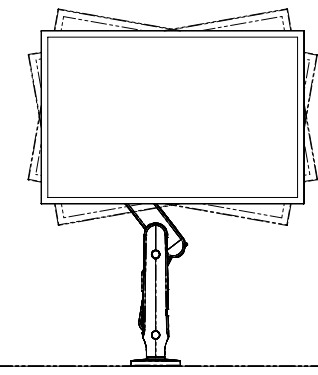


IMPORTANT
Ensure screw is fully tightened. Red screw cover should not be visible.

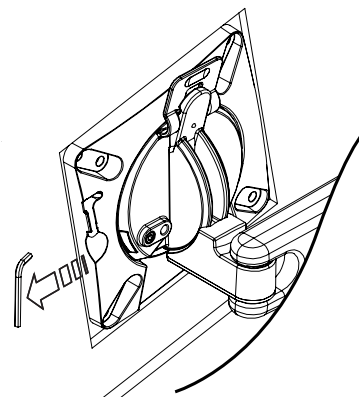
IMPORTANT
Please refer to Ollin monitor arm instructions for mounting of monitors and arm adjustment

OPTIONAL VESA FRICTION ADJUSTMENT

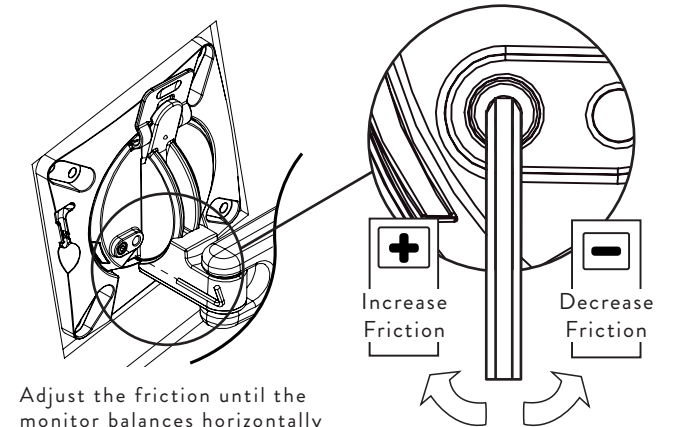
IMPORTANT
Portrait-to-landscape monitor rotation is factory-set for optimum performance, however if the monitor droops sideways, rotation friction can be adjusted as described below.



3A Remove allen key from slot in VESA plate



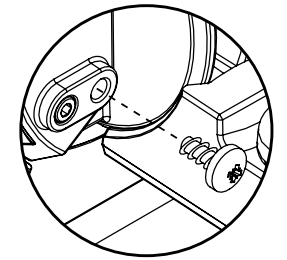
3B Adjust VESA friction to suit the offset weight of the monitor



Adjust the friction until the monitor balances horizontally above the desk

OPTIONAL FIT SECURITY SCREW IF REQUIRED

Security screw locks monitor to arm



TOTAL MAX
9KG/20LB

WARNING

- Do not use this product for any purpose other than that for which it was designed
- Ensure desk/work surface is suitable to take the weight of the arm/s and monitors
- Supported weight must not exceed the maximum load per arm
- Take care when installing as fingers could become trapped

MAINTENANCE AND INSPECTION

- Ensure all screws and fixings are fully tightened and occasionally re-tighten if necessary.
- Clean with a damp cloth. DO NOT use solvents.

DISCLAIMERS

- The use of power tools, lever bars or excessive force during the installation, or re-configuration of the product will invalidate your guarantee
- Failure to observe the recommendations in the use, and configuration of these products may affect your guarantee
- As part of Colebrook Bosson Saunders ongoing product improvement programme, the design of products may change without prior notice and details may vary from those illustrated.

PATENTS

Colebrook Bosson Saunders hold a number of patents and other intellectual property rights covering our products and processes. You can find patent information on our website at: www.colebrookbossonsaunders.com/patents

Please consider leaving these instructions with the product if further installation may be required by others