

KONCEPT

Dynamic. Sleek. Efficient. Flexible.

splitty



Designers

Kenneth Ng & Edmund Ng

Red Dot Design Award 2018

iF Design Award 2018

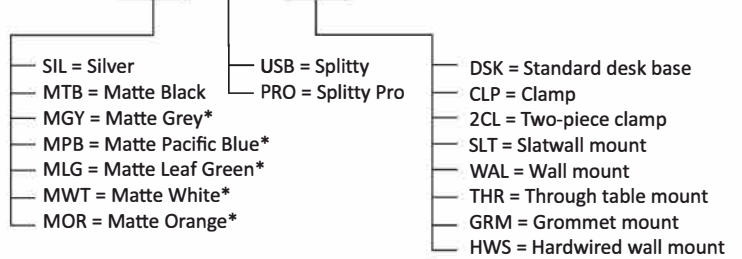
Best of NeoCon Gold 2017

Interior Design Best of Year Honoree 2017

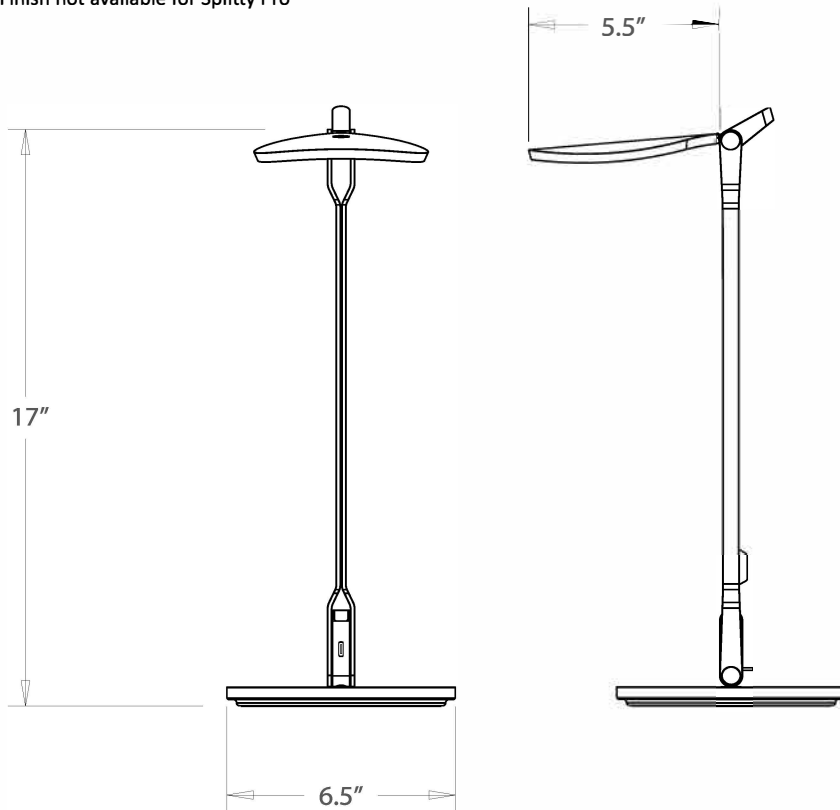
Splitty gets its name from its unique joint design and is one of the most flexible lights in the Koncept collection. When illuminated, the wide LED head casts an even glow thanks to the fully diffused light panel. Koncept designers perfected the diffused light source with hidden LEDs so that the lamp performs as a radiant ambient light as well as a functional task light. Multiple mounting options can free up desk space and a discreet USB port allows users to charge most phones or tablets. Splitty Pro features a built-in occupancy sensor to maximize energy efficiency.

Lumens: 500
Energy Consumption: 5.8 W
Rated Lifespan: 50,000 hours
Color Temperature: Warm (3,500 K)
Color Rendering Index (CRI) : 82
Brightness Adjustability: Continuous Dimming
Standard Finishes: Silver, Matte Black, Matte Grey*, Matte White*, Matte Pacific Blue*, Matte Leaf Green*, Matte Orange*
Material: Aluminum, plastic
USB port: Built-in; 1A (Splitty) / 2A (Splitty Pro)
Occupancy Sensor: Built-in (Splitty Pro only)
C-UL-US Certified

SPY - W -



*Finish not available for Splitty Pro



Mounting Options*



Two-piece clamp
(MT-01-C004)



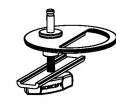
Clamp (one-piece)
(MT01C3)



Through-table mount
(MT01T1)



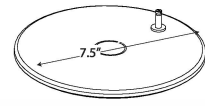
Slatwall mount
(MT-01-S004)



Grommet mount
(MT-01-G001)



Hardwired Wall Mount
(MT-01-W002)



Wireless Charging Base
(MT-01-D010)

*Limited finishes available on mounting options

Potential LEED Points

Integrative Process (Possible 2 points)

To support high-performance, cost-effective project outcomes through an early analysis of the interrelationships among systems.

Koncept's LED desktop and task lighting provides finer control over lighting levels in occupied spaces. With personal lighting in place, elimination or downsizing of building lighting systems is possible.

Interior Lighting (Possible 2 points)

To promote occupants' productivity, comfort and well-being by providing high-quality lighting.

All Koncept's task lighting products provide more than three lighting levels that are easily adjustable by occupants to suit their needs. Furthermore, all Koncept's task lighting products use high quality LED light sources with CRI over 80 and L70 rated lifespan over 50,000 hours. Desktop and task personal lighting also provides the opportunity to reduce overhead lighting.

Light source placed at 15" away from worksurface

