



# V conference table

Engineered simplicity.



okamura



## Impossibly thin. Beautifully strong.

Conference rooms in today's workplaces are challenged with shrinking room size and the need to adapt to evolving technologies. In *V conference table*, every component of the conference table has been meticulously reengineered — from the unbelievably thin top to the graceful support structure, from the integration of technology to the 16 beautiful finishes.

- The table top is less than 21mm at its thickest point, tapering to a knife edge, creating the effect of a hovering plane up to 5600mm, without the need for a center support.
- The minimal silhouette of *V conference table* is achieved through a simple, canted leg design mirrored on either side of the table.
- Beautiful materials and finishes are front and center : 16 options include stunning traditional woods and unique, reconstituted woods, each with brushed or polished metal accents.
- Power and data connectivity are concealed in the design, allowing for future flexibility as wireless technology advances.



Walnut

Natural Oak

## Design Team



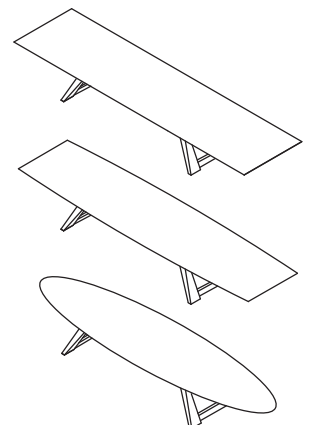
Since 2009, HOK Product Design®, LLC has created innovative products for the built environment. Under the leadership of Senior Vice President and Director Susan Grossinger, the team partners with manufacturers to develop products that enhance their portfolios and strengthen their market presence.

<http://www.hokproductdesign.com>

## Shapes & Dimensions

Shapes :  
 Rectangle  
 Boat  
 Oval

Depth × Width : (mm)  
 1200 × 2400 / 3600 / 4800  
 1500 × 3600 / 4800 / 5600



## OKAMURA CORPORATION

International Sales & Marketing Div.

2-14-27, Akasaka, Minato-ku, Tokyo 107-0052, JAPAN

Tel : +81-3-5561-4085 Fax : +81-3-5561-4086

<http://www.okamura.jp/>

<http://www.okamura.cn/>

